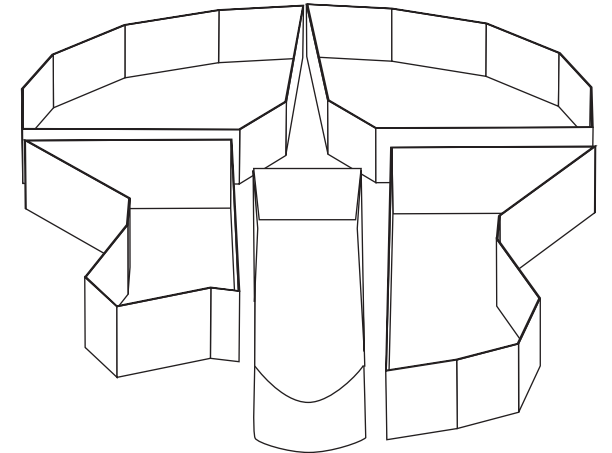
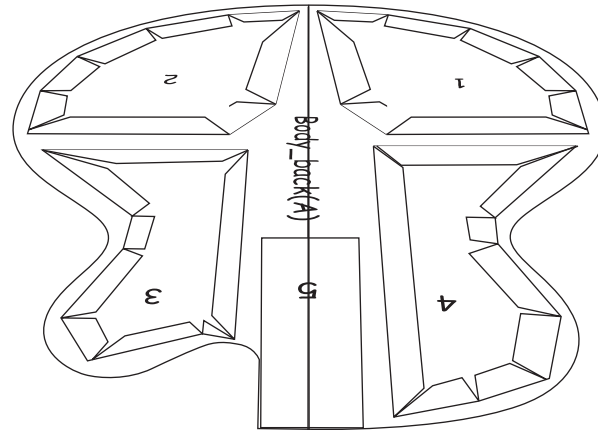
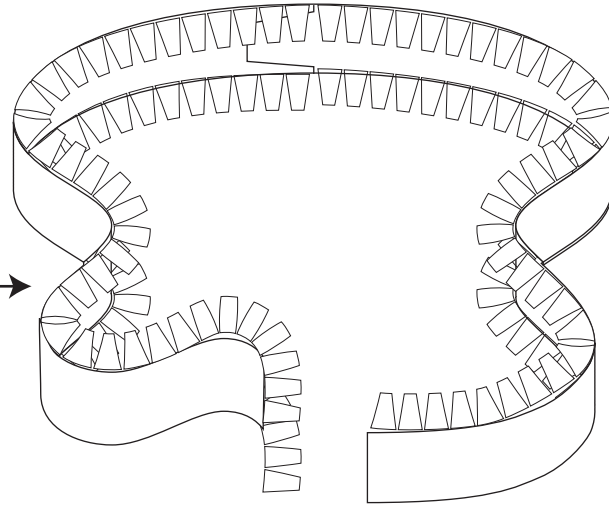
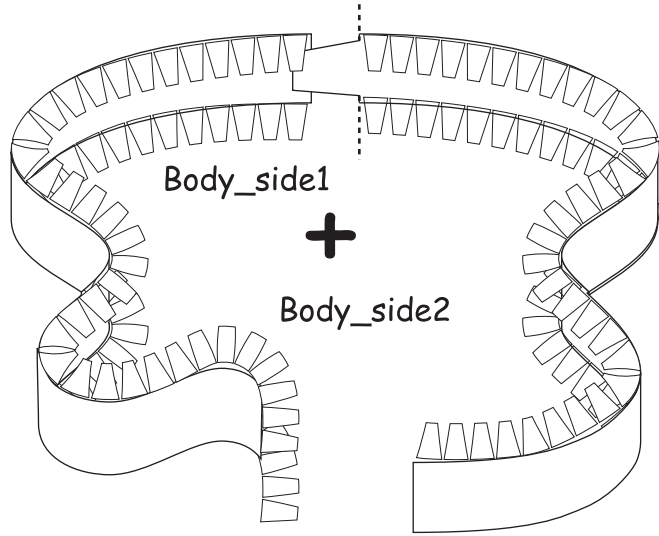
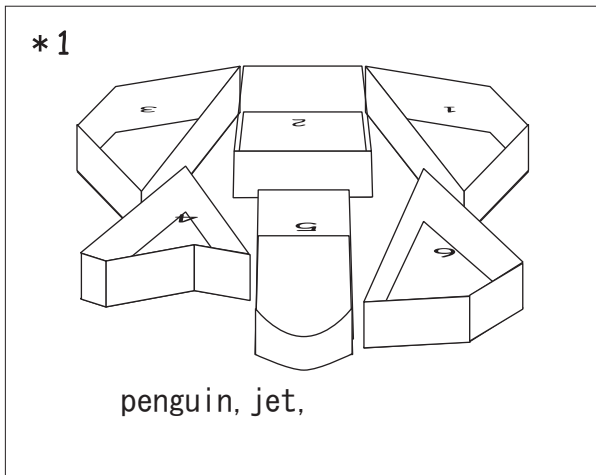
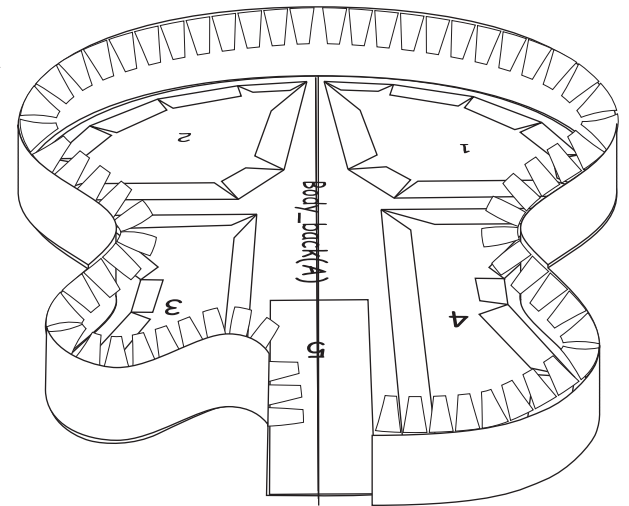


Gretsch

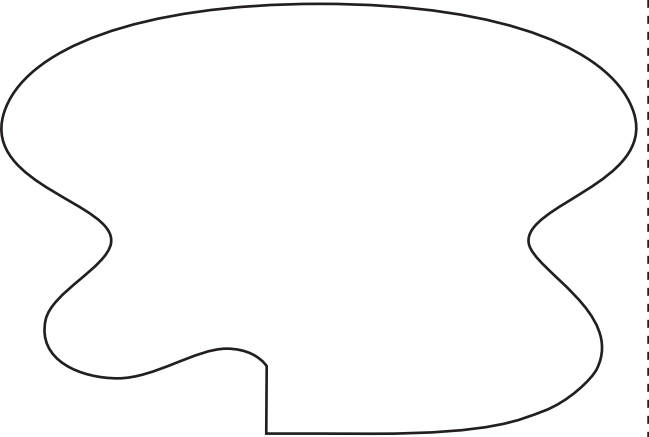


6120, 6136

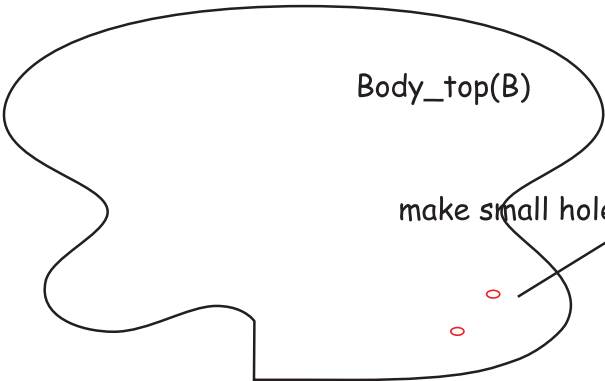
\* 1



Body\_top(A)

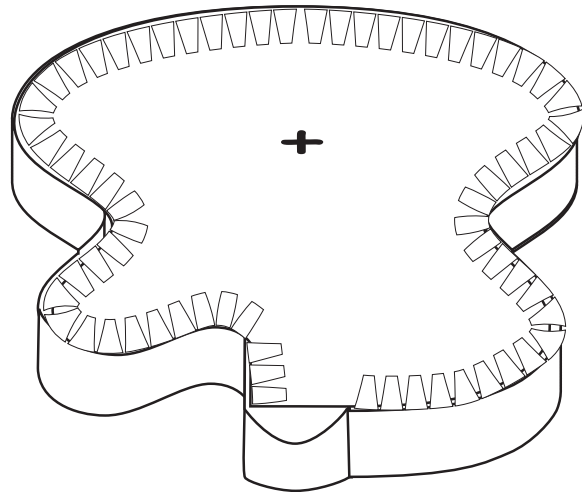


+

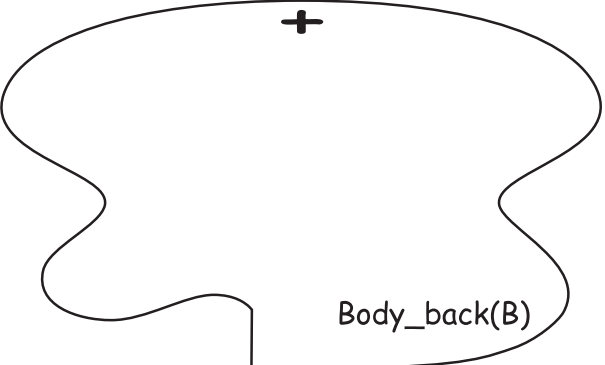


Body\_top(B)

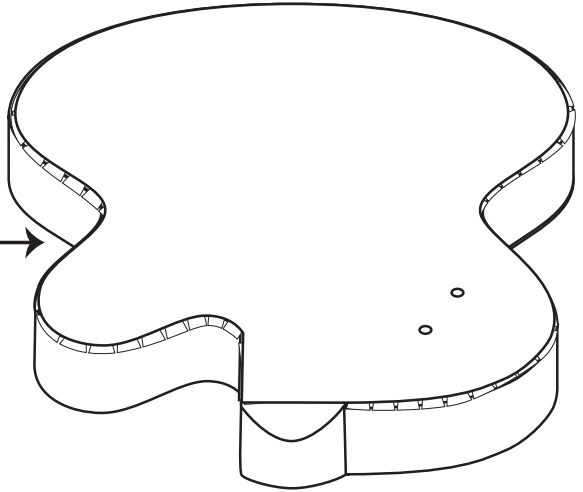
make small holes



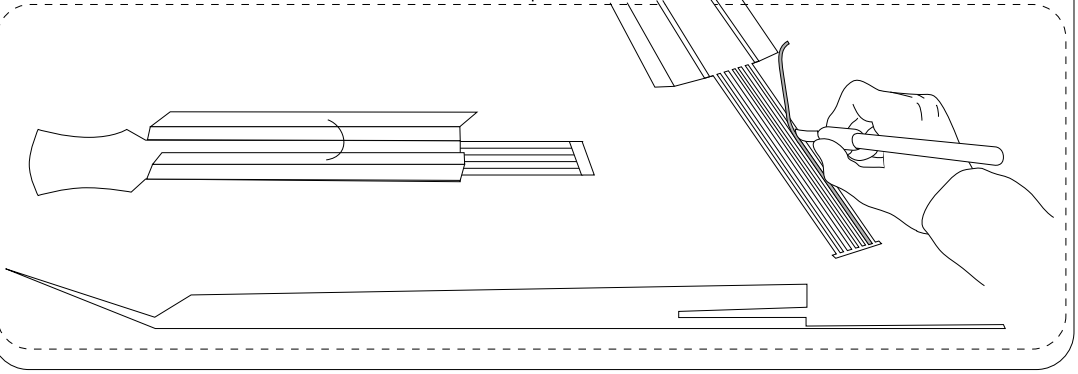
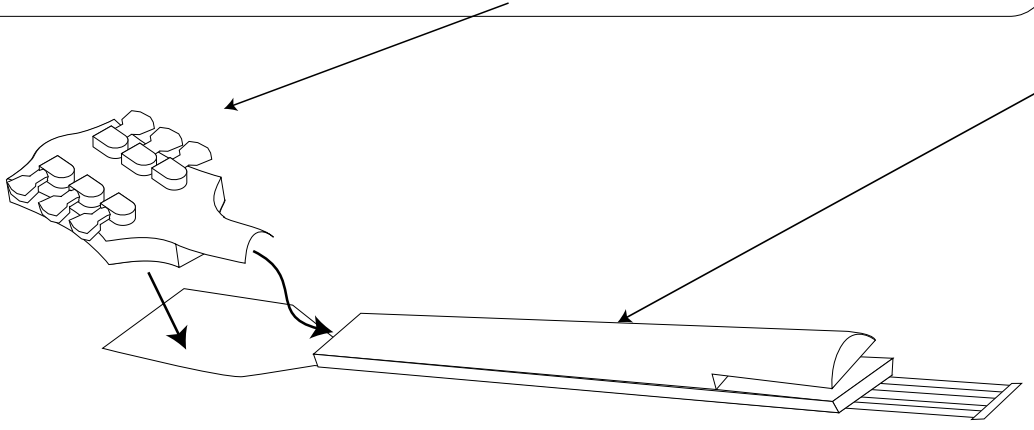
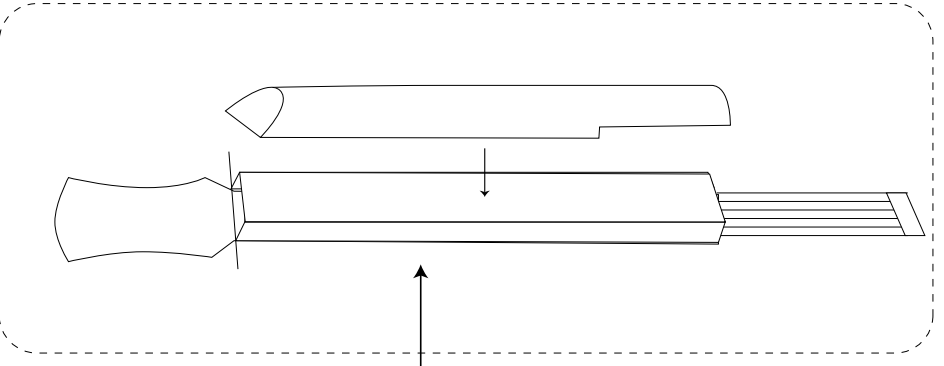
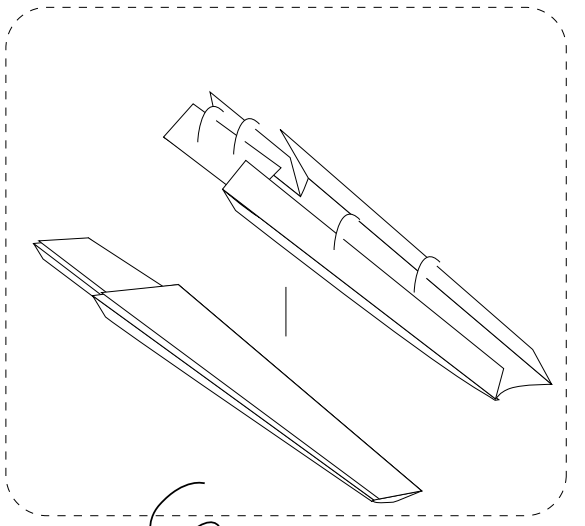
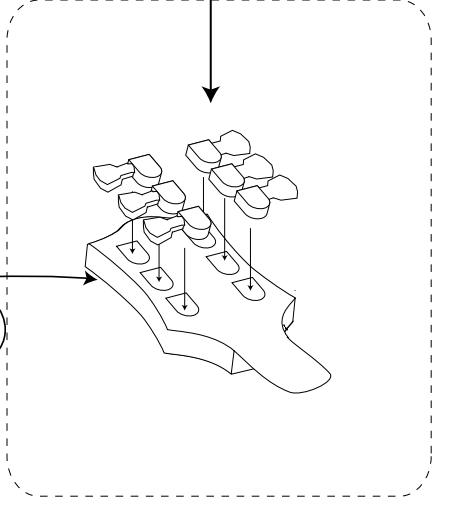
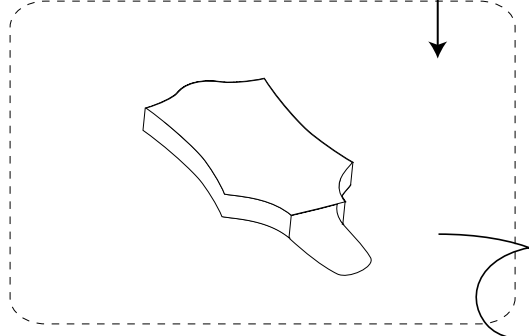
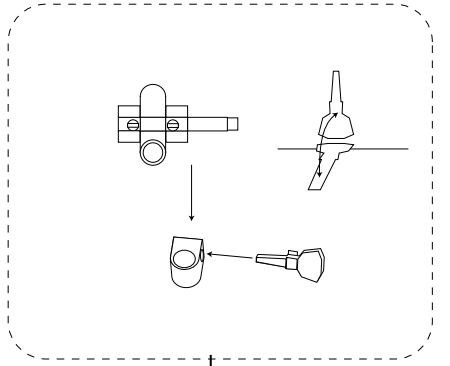
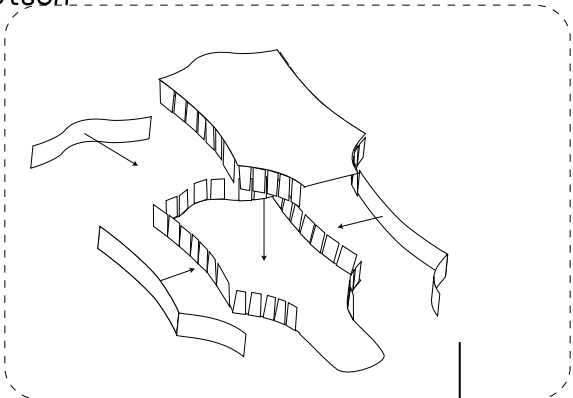
+



Body\_back(B)

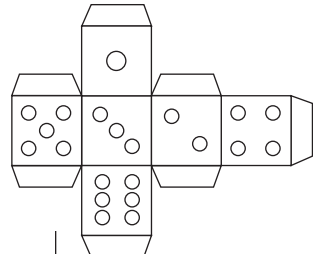
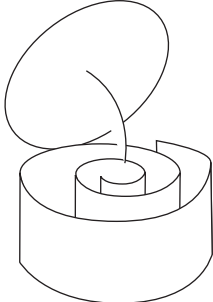
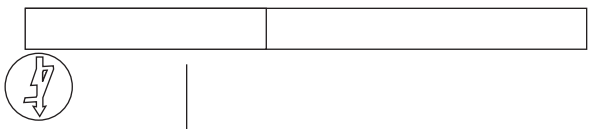


Gretsch

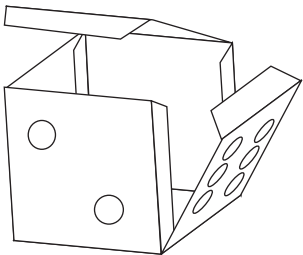


Gretsch

### Knobs

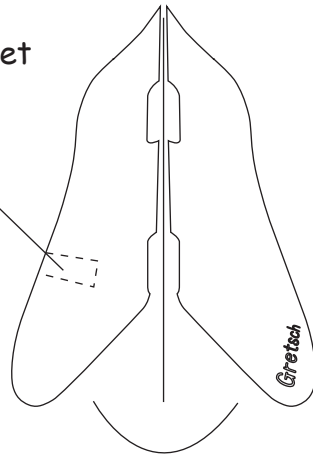


### Knobs

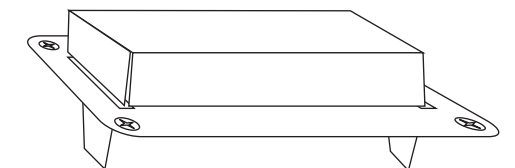
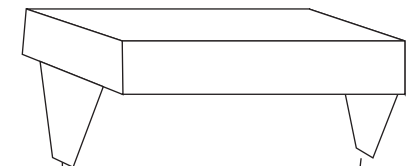
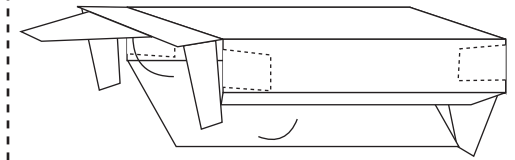


### Pickguard

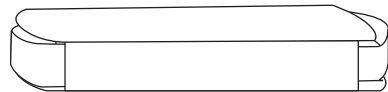
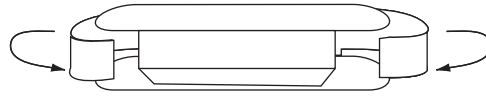
#### Pickguard Bracket



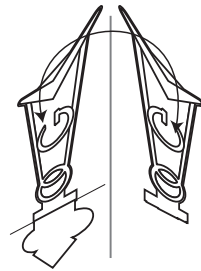
### Pickups



### Bridge



### tailpiece



### Tailpiece

#### Handle



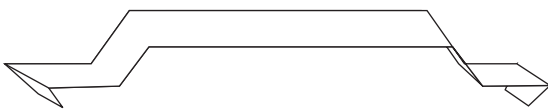
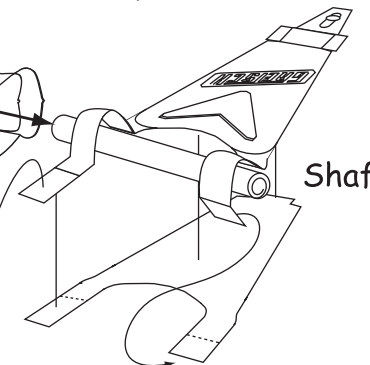
#### Hinge



#### Spring

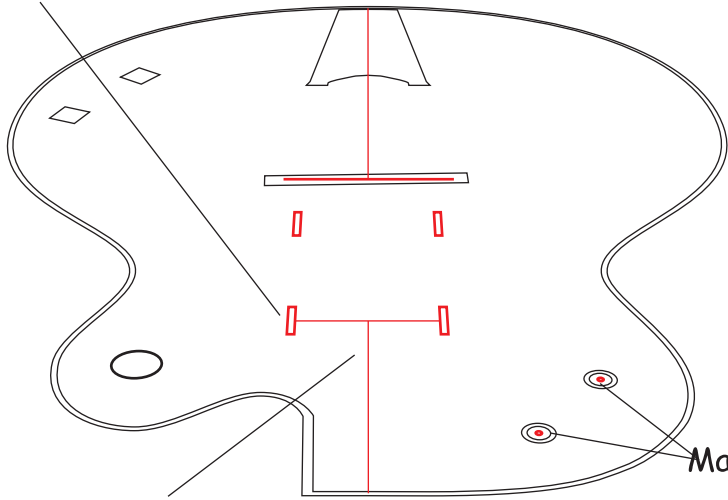


#### Shaft



Body\_top(C)

cut out slots

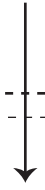
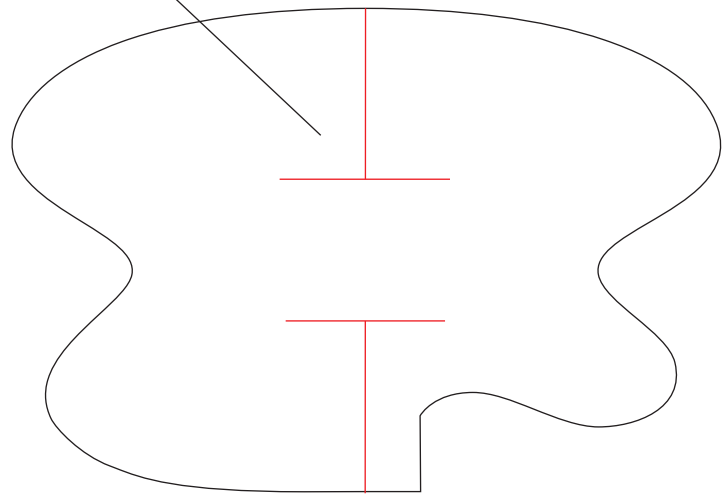


Make small holes.

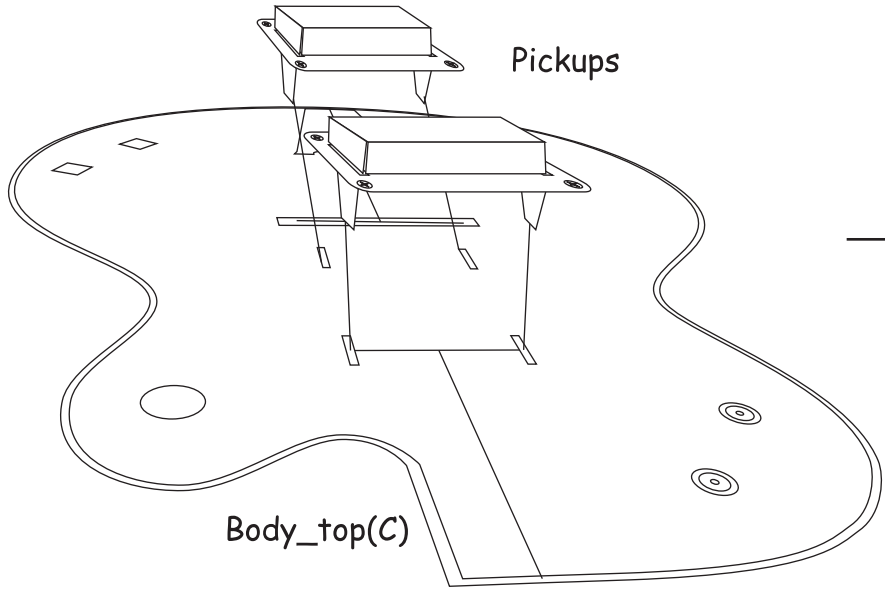
Make cuts along the red line.

Body\_back(C)

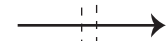
Make cuts along the red line. 6120, 6136



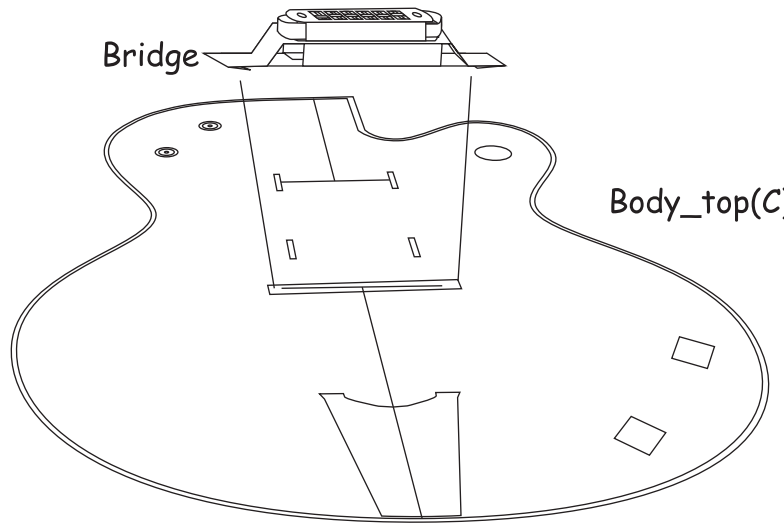
Pickups



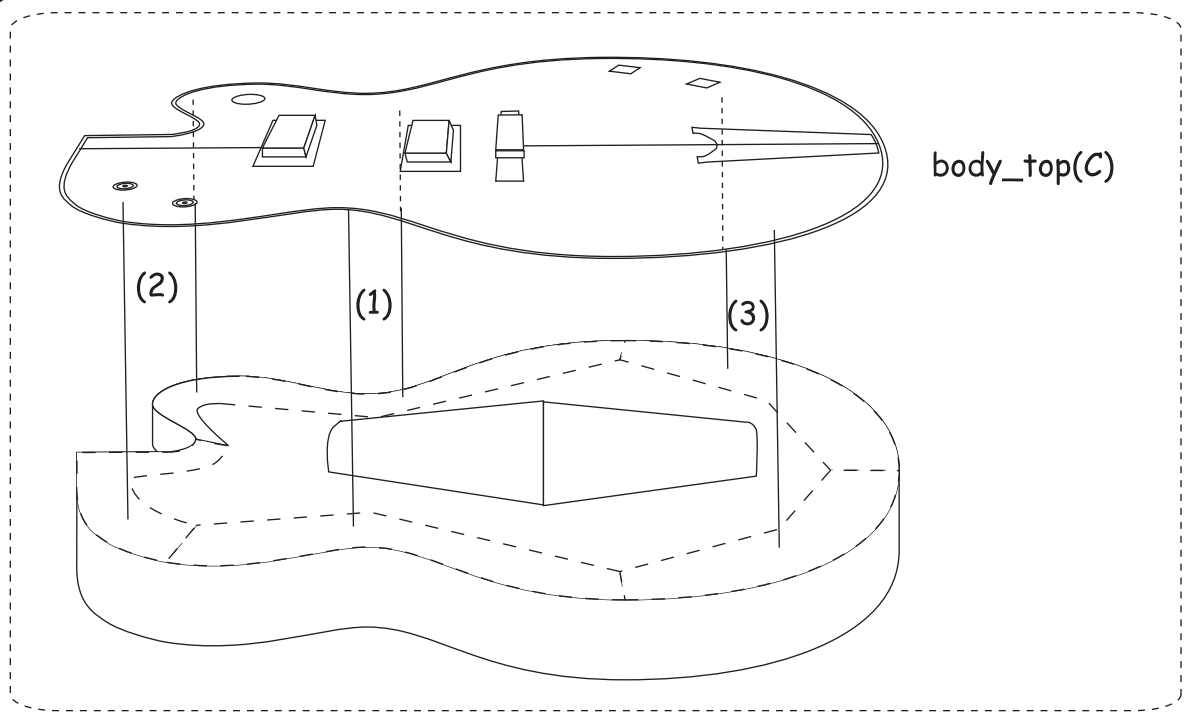
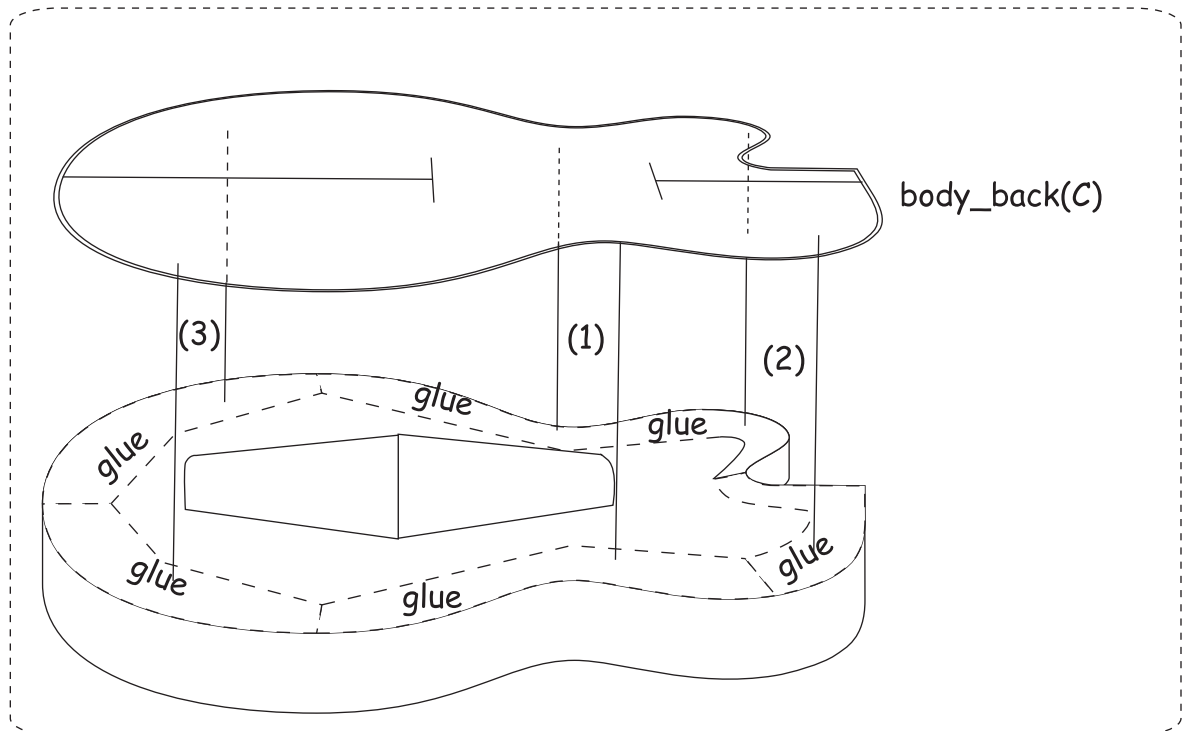
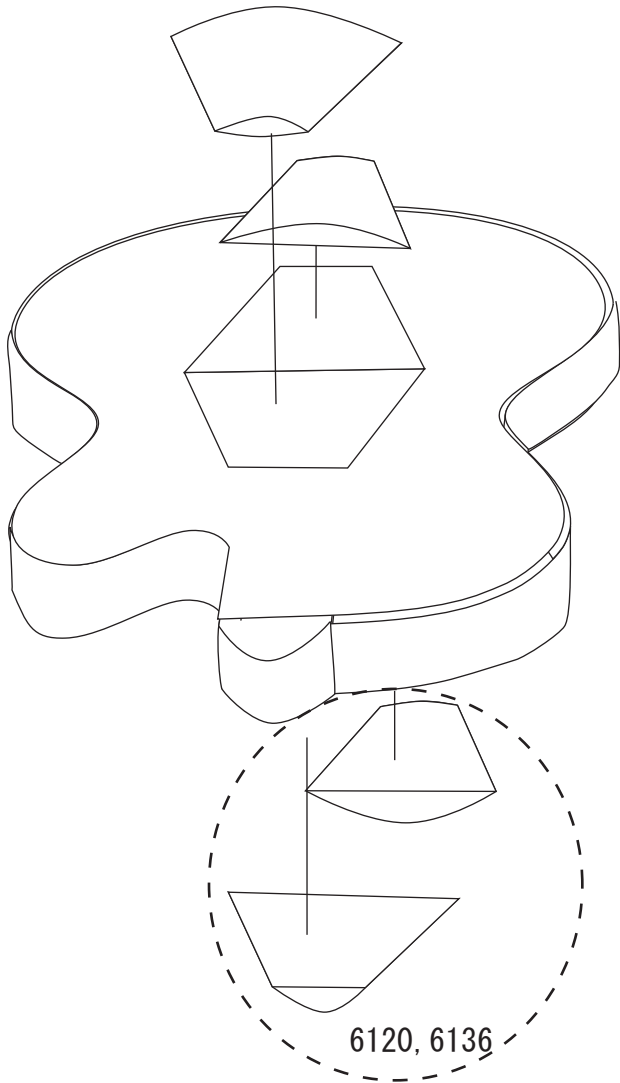
Body\_top(C)



Bridge



Body\_top(C)



Gretsch

